

I606 v0

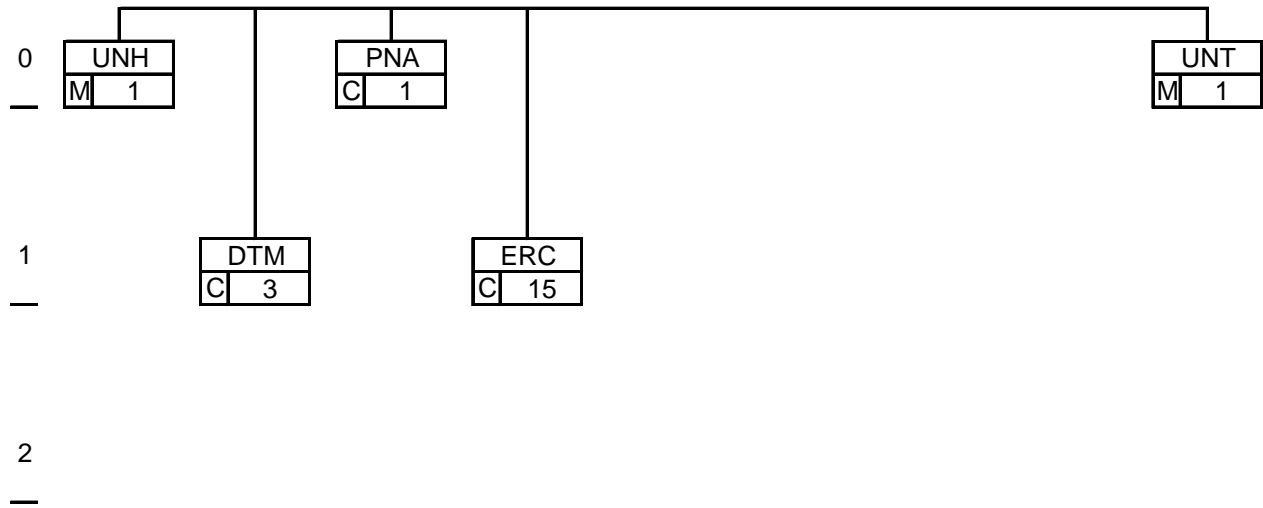
28/02/1996

Message name : I606
Message version 0
Date released 28/02/1996
Responsible agency BCSS-KSZ
Message description Variante message général intégration → réponse

Message type I606
Directory name UN/EDIFACT TRIAL DIRECTORY
Directory version 94B

In this release :

- ◆ Correction of IHFN : DTMA1 → DTMB1



Message		M	1
UNH	Message header	M	1
DTM	Date / Time / Period	C	3
PNA	Person name	C	1
ERC	Application Error Information	C	15
UNT	Message trailer	M	1

Message**UNH - M - 1 - MESSAGE HEADER****DTM - C - 3 - DATE / TIME / PERIOD**

1 à 3 périodes

PNA - C - 1 - PERSON NAME

Nouveau NISS

Nieuwe INSZ

ERC - C - 15 - APPLICATION ERROR INFORMATION

1 à 15 code(s) erreur

UNT - M - 1 - MESSAGE TRAILER

(End of Message)

UNH MESSAGE HEADER		M 1	
En-tête du message			
0062	MESSAGE REFERENCE NUMBER	AN..14	M R
S009	MESSAGE IDENTIFIER		M R
0065	Message type identifier	AN..6	M R "1606"
0052	Message type version number	AN..3	M R "000"
0054	Message type release number	AN..3	M R "000"
0051	Controlling agency	AN..2	M R "BK"
0057	Association assigned code	AN..6	C R
0068	COMMON ACCESS REFERENCE	AN..35	C R
S010	STATUS OF THE TRANSFER		C R
0070	Sequence message transfer number	N..2	M R
0063	First/Last sequence message transfer indication	A1	C R

DTM DATE/TIME/PERIOD		C 3	
(A) 1ère période (B) 2ème période (C) 3ème période			
C507	DATE/TIME/PERIOD		M R
2005	Date/time/period qualifier	AN..3	M R (A) "541" (B) "542" (C) "543"
2380	Date/time/period	AN..35	C R (A) 1ère période (B) 2ème période (C) 3ème période
2379	Date/time/period format qualifier	AN..3	C R "711" format 'CCYYMMDD- CCYYMMDD'

PNA PERSON NAME			C 1	
Nouveau NISS				
3925	PARTY QUALIFIER	AN..3	C	X
C206	IDENTIFICATION NUMBER		C	R
7402	Identity number	AN..35	M	R
7405	Identity number qualifier	AN..3	C	X
3039	Party id identification	AN..17	C	X
1131	Code list qualifier	AN..3	C	X
3055	Code list responsible agency, coded	AN..3	C	X
4405	Status, coded	AN..3	C	X
3797	PERSON NAME TYPE, CODED	AN..3	C	X
3799	PERSON NAME STATUS, CODED	AN..3	C	X
C816	NAME COMPONENT DETAILS		C	X
3825	Name component qualifier	AN..3	C	X
3826	Name component	AN..70	C	X
3839	Name qualifier	AN..3	C	X
3841	Name component representation, coded	AN..3	C	X
C816	NAME COMPONENT DETAILS		C	X
3825	Name component qualifier	AN..3	C	X
3826	Name component	AN..70	C	X
3839	Name qualifier	AN..3	C	X
3841	Name component representation, coded	AN..3	C	X
C816	NAME COMPONENT DETAILS		C	X
3825	Name component qualifier	AN..3	C	X
3826	Name component	AN..70	C	X
3839	Name qualifier	AN..3	C	X
3841	Name component representation, coded	AN..3	C	X
C816	NAME COMPONENT DETAILS		C	X
3825	Name component qualifier	AN..3	C	X
3826	Name component	AN..70	C	X
3839	Name qualifier	AN..3	C	X
3841	Name component representation, coded	AN..3	C	X
C816	NAME COMPONENT DETAILS		C	X
3825	Name component qualifier	AN..3	C	X
3826	Name component	AN..70	C	X
3839	Name qualifier	AN..3	C	X
3841	Name component representation, coded	AN..3	C	X

ERC APPLICATION ERROR INFORMATION			C 15	
1 à 15 codes erreurs				
C901	APPLICATION ERROR DETAIL		M	R
9321	Application error, coded	AN..6	M	R
1131	Code list qualifier	AN..3	C	R
3055	Code list responsible agency, coded	AN..3	C	R

UNT MESSAGE TRAILER		M 1		
Fin du message				
0074	NUMBER OF SEGMENTS IN A MESSAGE	N..6	M	R
0062	MESSAGE REFERENCE NUMBER	AN..14	M	R

IHFN	In House File Normalised
-------------	--------------------------

DTMB1	1
PNA1	2
ERCA1	3

Légende		
Align	L	Left / Gauche / Links
	R	Right / Droite / Rechts
Typ	AN	AlphaNumeric / Aphanumérique / Alfameriek
	A	Alphabetic / Aphabetique / Alfabetisch
	N	Numeric / Numérique / Numeriek
St.	M	Mandatory / Obligatoire / Noodzakelijk
	C	Conditional / Conditionnel / Conditioneel

DTMB1	Periodes (1/2/3)						
	Perioden (1/2/3)						
Fields	Len.	from	to	Value/Description	Align	Typ	St.
Rec-type	5	1	5	"DTMB1"	L	AN	M
DTMB1-2005	3	6	8	1 : "541" 2 : "542" 3 : "543"	L	AN	M
DTMB1-2380	16	9	24	1 : Periode 1 (Date debut/date fin) (Begindatum / eindedatum) 2 : Periode 2 (Date debut/date fin) (Begindatum / eindedatum) 3 : Periode 3 (Date debut/date fin) (Begindatum / eindedatum)	L	AN	C
DTMB1-2379	3	25	27	"711" format 'CCYYMMDDCCYYMMDD')	L	AN	C

PNA1	Identification						
	Identificatie						
Fields	Len.	from	to	Value/Description	Align	Typ	St.
Rec-type	5	1	5	"PNA1"	L	AN	M
PNA1-7402	11	6	16	NISS INSZ	L	AN	C

ERCA1	Code retour (1 .. 15)						
	Errorcode (1 .. 15)						
Fields	Len.	from	to	Value/Description	Align	Typ	St.
Rec-type	5	1	5	"ERCA1"	L	AN	M
ERCA1-9321	6	6	11	Code retour Errorcode	L	AN	C
ERCA1-1131	3	12	14	Codelist	L	AN	C
ERCA1-3055	3	15	17	Responsable codelist verantwoordelijk van de codelist	L	AN	C