

N010 v0

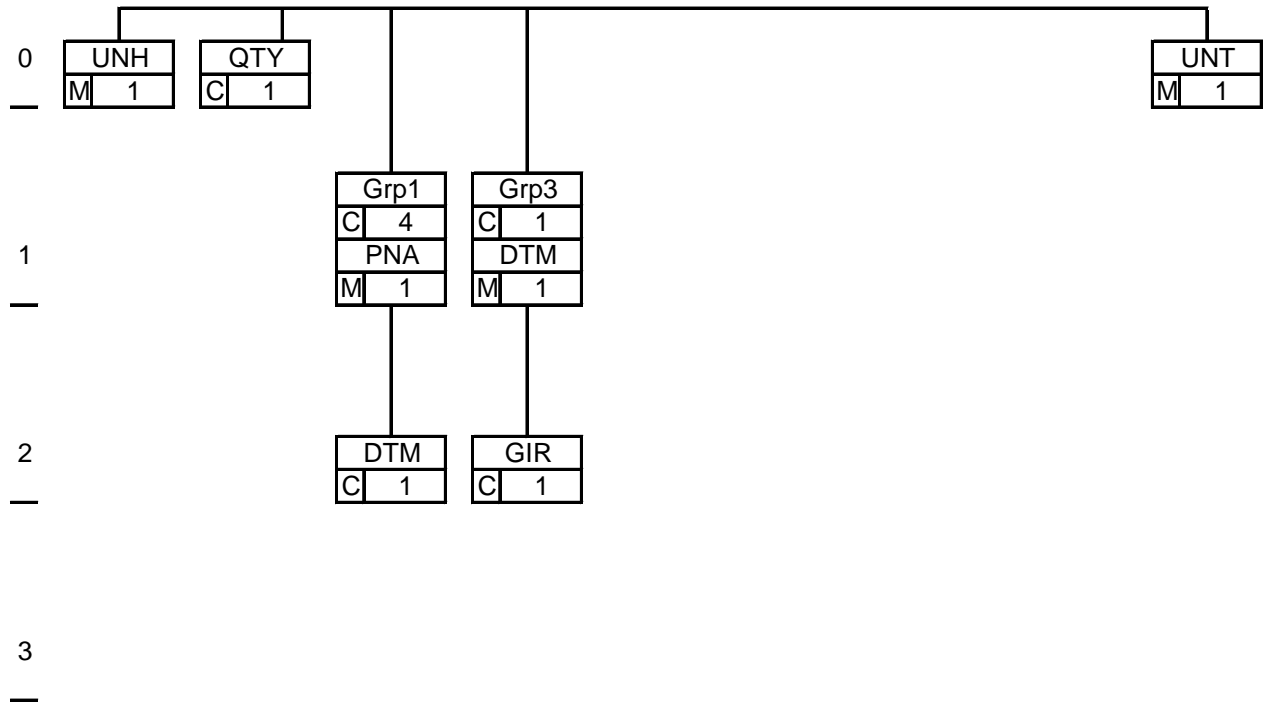
20/03/2002

Message name : N010
Message version 0
Date released 20/03/2002
Responsible agency BCSS-KSZ
Message description Registre BIS – Msg N010 – Changement de Nom.

Message type N010
Directory name UN/EDIFACT TRIAL DIRECTORY
Directory version 92.1

In release 20/03/2002

- ◆ Set on e-form the paper version of 30/08/1999



| Message | | M | 1 |
|----------------|--------------------------------|---|---|
| UNH | Message header | M | 1 |
| QTY | Quantity | C | 1 |
| Group 1 | | C | 4 |
| PNA | Person Name | M | 1 |
| DTM | Date / Time / Period | C | 1 |
| Group 3 | | C | 1 |
| DTM | Date / Time / Period | M | 1 |
| GIR | Related Identification Numbers | C | 1 |
| UNT | Message trailer | M | 1 |

Message**UNH - M - 1 - MESSAGE HEADER**

En-tête du message.

QTY - C - 1 - QUANTITY

- *Nombre de N010*

Group 1 - C - 4**PNA - M - 1 - PERSON NAME**

- *Nom, Premier prénom, Deuxième prénom*

DTM - C - 1 - DATE / TIME / PERIOD

- *Date de prise de cours N010*

(End of Group 1)**Group 3 - C - 1**

En cas de retour = 80080

DTM - M - 1 - DATE / TIME / PERIOD

- *Date de mise à jour*

GIR - C - 1 - RELATED IDENTIFICATION NUMBERS

- *Nouveau numéro BIS*

(End of Group 3)**UNT - M - 1 - MESSAGE TRAILER**

Fin du message

(End of Message)

| UNH MESSAGE HEADER | | | M 1 | |
|---------------------------|---|--------|------------|---------|
| En-tête du message | | | | |
| 0062 | MESSAGE REFERENCE NUMBER | AN..14 | M | R . |
| S009 | MESSAGE IDENTIFIER | | M | R . |
| 0065 | Message type identifier | AN..6 | M | R N010 |
| 0052 | Message type version number | AN..3 | M | R "000" |
| 0054 | Message type release number | AN..3 | M | R "000" |
| 0051 | Controlling agency | AN..2 | M | R "BK" |
| 0057 | Association assigned code | AN..6 | C | X |
| 0068 | COMMON ACCESS REFERENCE | AN..35 | C | X |
| S010 | STATUS OF THE TRANSFER | | C | X |
| 0070 | Sequence message transfer number | N..2 | M | X |
| 0073 | First/Last sequence message transfer indication | A1 | C | X |

| QTY QUANTITY | | | C 1 | |
|---------------------------|------------------------|-------|------------|--------------------------|
| Nombre d'occurrences N010 | | | | |
| C186 | QUANTITY DETAILS | | M | R . |
| 6063 | Quantity qualifier | AN..3 | M | R "538" |
| 6060 | Quantity | N..15 | M | R Nombre de N010 (max 4) |
| 6411 | Measure unit qualifier | AN..3 | C | X |

| PNA PERSON NAME | | | M 1 | |
|------------------------|--------------------------------------|--------|------------|-----------------|
| Nom, prénoms | | | | |
| 3925 | PERSON QUALIFIER | AN..3 | C | "524" |
| C206 | IDENTIFICATION NUMBER | | C X | |
| 7402 | Identity number | AN..35 | M X | |
| 7405 | Identity number qualifier | AN..3 | C X | |
| 3039 | Party id identification | AN..17 | C X | |
| 1131 | Code list qualifier | AN..3 | C X | |
| 3055 | Code list responsible agency, coded | AN..3 | C X | |
| 4405 | Status, coded | AN..3 | C X | |
| 3797 | PERSON NAME TYPE, CODED | AN..3 | C X | |
| 3799 | PERSON NAME STATUS, CODED | AN..3 | C X | |
| C816 | NAME COMPONENT DETAILS | | C R | . |
| 3825 | Name component qualifier | AN..3 | C X | |
| 3826 | Name component | AN..70 | C R | Nom |
| 3839 | Name qualifier | AN..3 | C X | |
| 3841 | Name component representation, coded | AN..3 | C X | |
| C816 | NAME COMPONENT DETAILS | | C R | . |
| 3825 | Name component qualifier | AN..3 | C X | |
| 3826 | Name component | AN..70 | C R | Premier prénom |
| 3839 | Name qualifier | AN..3 | C X | |
| 3841 | Name component representation, coded | AN..3 | C X | |
| C816 | NAME COMPONENT DETAILS | | C R | . |
| 3825 | Name component qualifier | AN..3 | C X | |
| 3826 | Name component | AN..70 | C R | Deuxième prénom |
| 3839 | Name qualifier | AN..3 | C X | |
| 3841 | Name component representation, coded | AN..3 | C X | |
| C816 | NAME COMPONENT DETAILS | | C X | |
| 3825 | Name component qualifier | AN..3 | C X | |
| 3826 | Name component | AN..70 | C X | |
| 3839 | Name qualifier | AN..3 | C X | |
| 3841 | Name component representation, coded | AN..3 | C X | |
| C816 | NAME COMPONENT DETAILS | | C X | |
| 3825 | Name component qualifier | AN..3 | C X | |
| 3826 | Name component | AN..70 | C X | |
| 3839 | Name qualifier | AN..3 | C X | |
| 3841 | Name component representation, coded | AN..3 | C X | |

| DTM DATE/TIME/PERIOD | | | M 1 | |
|-----------------------------|-----------------------------------|--------|------------|-------------------------|
| Date de mise-à-jour | | | | |
| C507 | DATE/TIME/PERIOD | | M R | . |
| 2005 | Date/time/period qualifier | AN..3 | M R | "193" |
| 2380 | Date/time/period | AN..35 | C R | Date de mise à jour |
| 2379 | Date/time/period format qualifier | AN..3 | C R | "102" format 'CCYYMMDD' |

| GIR RELATED IDENTIFICATION NUMBERS | | | | C | 1 |
|---|-------------------------------------|--------|---|----------|--------------------|
| Nouveau numéro BIS (RC = 80080) | | | | | |
| 7297 | SET IDENTIFICATION QUALIFIER | AN..3 | M | R | "566" |
| C206 | IDENTIFICATION NUMBER | | M | R | . |
| 7402 | Identity number | AN..35 | M | R | Nouveau numéro BIS |
| 7405 | Identity number qualifier | AN..3 | C | X | |
| 3039 | Party id identification | AN..17 | C | X | |
| 1131 | Code list qualifier | AN..3 | C | X | |
| 3055 | Code list responsible agency, coded | AN..3 | C | X | |
| 4405 | Status, coded | AN..3 | C | X | |
| C206 | IDENTIFICATION NUMBER | | C | X | |
| 7402 | Identity number | AN..35 | M | X | |
| 7405 | Identity number qualifier | AN..3 | C | X | |
| 3039 | Party id identification | AN..17 | C | X | |
| 1131 | Code list qualifier | AN..3 | C | X | |
| 3055 | Code list responsible agency, coded | AN..3 | C | X | |
| 4405 | Status, coded | AN..3 | C | X | |
| C206 | IDENTIFICATION NUMBER | | C | X | |
| 7402 | Identity number | AN..35 | M | X | |
| 7405 | Identity number qualifier | AN..3 | C | X | |
| 3039 | Party id identification | AN..17 | C | X | |
| 1131 | Code list qualifier | AN..3 | C | X | |
| 3055 | Code list responsible agency, coded | AN..3 | C | X | |
| 4405 | Status, coded | AN..3 | C | X | |
| C206 | IDENTIFICATION NUMBER | | C | X | |
| 7402 | Identity number | AN..35 | M | X | |
| 7405 | Identity number qualifier | AN..3 | C | X | |
| 3039 | Party id identification | AN..17 | C | X | |
| 1131 | Code list qualifier | AN..3 | C | X | |
| 3055 | Code list responsible agency, coded | AN..3 | C | X | |
| 4405 | Status, coded | AN..3 | C | X | |
| C206 | IDENTIFICATION NUMBER | | C | X | |
| 7402 | Identity number | AN..35 | M | X | |
| 7405 | Identity number qualifier | AN..3 | C | X | |
| 3039 | Party id identification | AN..17 | C | X | |
| 1131 | Code list qualifier | AN..3 | C | X | |
| 3055 | Code list responsible agency, coded | AN..3 | C | X | |
| 4405 | Status, coded | AN..3 | C | X | |

| UNT MESSAGE TRAILER | | | | M | 1 |
|----------------------------|---------------------------------|--------|---|----------|----------|
| Fin du message | | | | | |
| 0074 | NUMBER OF SEGMENTS IN A MESSAGE | N..6 | M | R | . |
| 0062 | MESSAGE REFERENCE NUMBER | AN..14 | M | R | . |

| | |
|-------------|--------------------------|
| IHFN | In House File Normalised |
|-------------|--------------------------|

| | |
|--------------|---|
| QTYA1 | 1 |
| PNA1 | 2 |
| DTMA1 | 3 |
| DTMC1 | 4 |
| GIRA1 | 5 |

| Légende | | |
|--------------|--------------|---|
| Align | L R | Left / Gauche / Links Right / Droite / Rechts |
| Typ | AN A N | AlphaNumeric / Aphanumérique / Alfameriek Alphabetic / Aphabetique / Alfabetisch Numeric / Numérique / Numeriek |
| St. | M C | Mandatory / Obligatoire / Noodzakelijk Conditional / Conditionnel / Conditioneel |

| QTYA1 | Nombre de N010 (max. = 4) | | | | | | |
|--------------|---------------------------|------|----|---------------------------|-------|-----|-----|
| Fields | Len. | from | to | Value/Description | Align | Typ | St. |
| Rec-type | 5 | 1 | 5 | QTYA1 | L | AN | M |
| QTYA1-6063 | 3 | 6 | 8 | "538" (qualifiant) | L | AN | M |
| QTYA1-6060 | 2 | 9 | 10 | Nombre de N010 (Max. = 4) | L | AN | C |

| PNA1 | Nom, Premier prénom, Deuxième prénom | | | | | | |
|-------------|--------------------------------------|------|----|--------------------|-------|-----|-----|
| Fields | Len. | from | to | Value/Description | Align | Typ | St. |
| Rec-type | 5 | 1 | 5 | PNA1 | L | AN | M |
| PNA1-3925 | 3 | 6 | 8 | "524" (qualifiant) | L | AN | M |
| PNA1-3826-1 | 48 | 9 | 56 | Nom | L | AN | C |
| PNA1-3826-2 | 12 | 57 | 68 | Premier prénom | L | AN | C |
| PNA1-3826-3 | 12 | 69 | 80 | Deuxième prénom | L | AN | C |

| DTMA1 | Date de prise de cours | | | | | | |
|--------------|------------------------|------|----|-----------------------------|-------|-----|-----|
| Fields | Len. | from | to | Value/Description | Align | Typ | St. |
| Rec-type | 5 | 1 | 5 | DTMA1 | L | AN | M |
| DTMA1-2005 | 3 | 6 | 8 | "638" (qualifiant) | L | AN | M |
| DTMA1-2380 | 8 | 9 | 16 | Date de prise de cours N010 | L | AN | C |
| DTMA1-2379 | 3 | 17 | 19 | "102": CCYYMMDD | L | AN | C |

| DTMC1 | Date de mise à jour | | | | | | |
|--------------|---------------------|------|----|---------------------|-------|-----|-----|
| Fields | Len. | from | to | Value/Description | Align | Typ | St. |
| Rec-type | 5 | 1 | 5 | DTMC1 | L | AN | M |
| DTMC1-2005 | 3 | 6 | 8 | "193" (qualifiant) | L | AN | M |
| DTMC1-2380 | 8 | 9 | 16 | Date de mise à jour | L | AN | C |
| DTMC1-2379 | 3 | 17 | 19 | "102": CCYYMMDD | L | AN | C |

| GIRA1 | Nouveau numéro BIS | | | | | | |
|--------------|--------------------|------|----|--------------------|-------|-----|-----|
| Fields | Len. | from | to | Value/Description | Align | Typ | St. |
| Rec-type | 5 | 1 | 5 | GIRA1 | L | AN | M |
| GIRA1-7297 | 3 | 6 | 8 | "566" (qualifiant) | L | AN | M |
| GIRA1-7402 | 11 | 9 | 19 | Nouveau numéro BIS | L | AN | C |