

# N100 v0

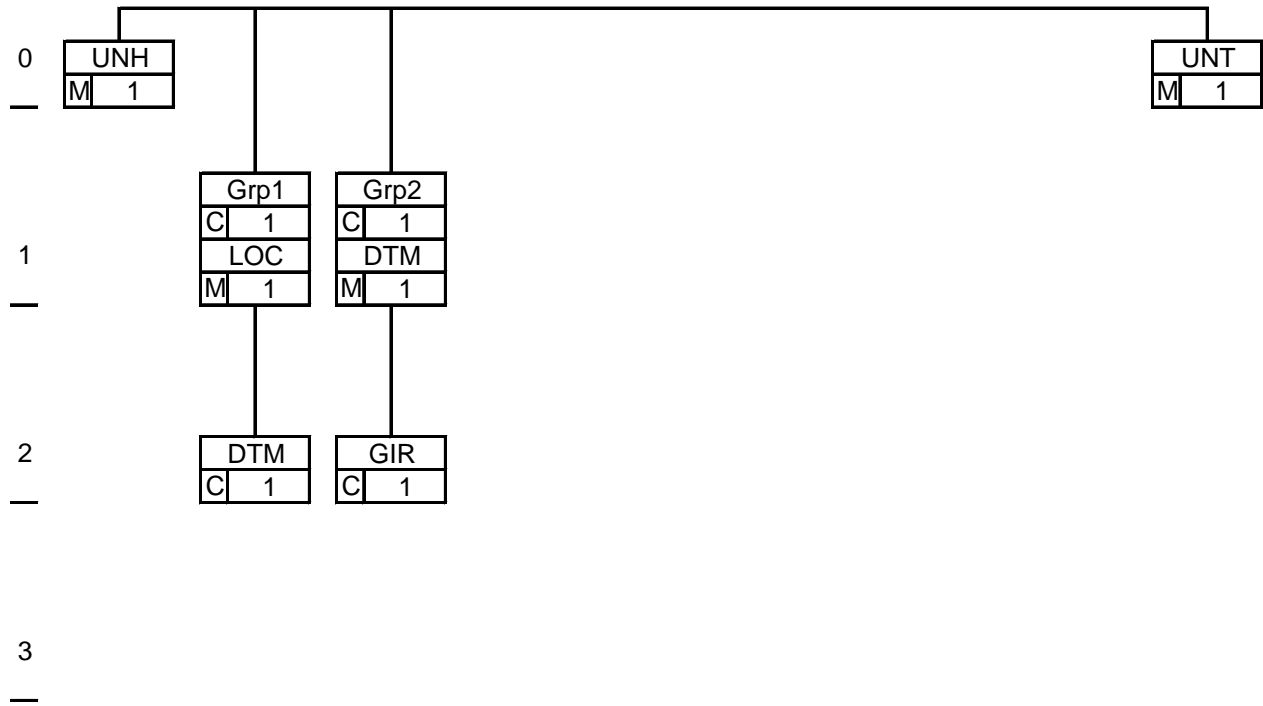
## 01/09/1999

Message name : N100  
Message version 0  
Date released 01/09/1999  
Responsible agency BCSS-KSZ  
Message description Registre BIS – Lieu de Naissance

Message type N100  
Directory name UN/EDIFACT TRIAL DIRECTORY  
Directory version 92.1

### *In release of 21/03/2002*

- ◆ Set on e-form the paper version of 01/09/1999



<b>Message</b>		M	1
UNH	Message Header	M	1
<b>Group 1</b>		C	1
LOC	Place / Location Identification	M	1
DTM	Date / Time / Period	C	1
<b>Group 2</b>		C	1
DTM	Date / Time / Period	M	1
GIR	Related Identification Numbers	C	1
UNT	Message Trailer	M	1

**Message****UNH - M - 1 - MESSAGE HEADER**

*En-tête du message.*

**Group – 1 – C – 1****LOC – M – 1 – PLACE / LOCATION IDENTIFICATION**

Code commune ou Pays

*Commune ou Pays*

**DTM – C – 1 – DATE / TIME / PERIOD**

- *Date de prise de cours (N100)*

**(End of Group 1)**

**Group 2 – C – 1**

En cas code retour = 800080

**DTM – M – 1 – DATE / TIME / PERIOD**

- *Date de mise à jour*

**GIR – C – 1 – RELATED IDENTIFICATION NUMBERS**

- *Nouveau numéro BIS*

**(End of Group 2)**

**UNT – M – 1 – MESSAGE TRAILER**

Fin de message

**(End of Message)**

<b>UNH MESSAGE HEADER</b>				<b>M 1</b>	
En-tête du message					
0062	MESSAGE REFERENCE NUMBER	AN..14	M	R	.
S009	MESSAGE IDENTIFIER		M	R	.
0065	Message type identifier	AN..6	M	R	N100
0052	Message type version number	AN..3	M	R	"000"
0054	Message type release number	AN..3	M	R	"000"
0051	Controlling agency	AN..2	M	R	"BK"
0057	Association assigned code	AN..6	C	X	
0068	COMMON ACCESS REFERENCE	AN..35	C	X	
S010	STATUS OF THE TRANSFER		C	X	
0070	Sequence message transfer number	N..2	M	X	
0073	First/Last sequence message transfer indication	A1	C	X	

<b>LOC PLACE / LOCATION IDENTIFICATION</b>				<b>M 1</b>	
Lieu de naissance					
3227	PLACE / LOCATION QUALIFIER	AN..3	M	R	"500"
C517	LOCATION IDENTIFICATION		C	R	
3225	Place / location identification	AN..25	C	R	Code INS (commune ou pays)
1131	Code list qualifier	AN..3	C	X	
3055	Code list responsible agency, coded	AN..3	C	X	
3224	Place / Location	AN..17	C	X	
C519	RELATED LOCATION ONE IDENTIFICATION		C	R	
3223	Related place / location one identification	AN..25	C	X	
1131	Code list qualifier	AN..3	C	X	
3055	Code list responsible agency, coded	AN..3	C	X	
3222	Related place / location one	AN..70	C	R	Graphique (Commune ou pays)
C553	RELATED LOCATION TWO IDENTIFICATION		C	X	
3233	Related place / location two identification	AN..25	C	X	
1131	Code list qualifier	AN..3	C	X	
3055	Code list responsible agency, coded	AN..3	C	X	
3232	Related place / location two	AN..70	C	X	
5479	Relation, coded	AN..3	C	X	

<b>DTM DATE/TIME/PERIOD</b>				<b>C 1</b>	
Date de prise de cours (N100)					
C507	DATE/TIME/PERIOD		M	R	.
2005	Date/time/period qualifier	AN..3	M	R	"644"
2380	Date/time/period	AN..35	C	R	Date de prise de cours (N100)
2379	Date/time/period format qualifier	AN..3	C	R	"102": CCYYMMDD

DTM DATE/TIME/PERIOD			M 1		
Date de mise-à-jour					
C507	DATE/TIME/PERIOD		M	R	.
2005	Date/time/period qualifier	AN..3	M	R	"193"
2380	Date/time/period	AN..35	C	R	Date de mise à jour
2379	Date/time/period format qualifier	AN..3	C	R	"102" format 'CCYYMMDD'

GIR RELATED IDENTIFICATION NUMBERS			C 1		
Nouveau numéro BIS (RC = 80080)					
7297	SET IDENTIFICATION QUALIFIER	AN..3	M	R	"566"
C206	IDENTIFICATION NUMBER		M	R	.
7402	Identity number	AN..35	M	R	Nouveau numéro BIS
7405	Identity number qualifier	AN..3	C	X	
3039	Party id identification	AN..17	C	X	
1131	Code list qualifier	AN..3	C	X	
3055	Code list responsible agency, coded	AN..3	C	X	
4405	Status, coded	AN..3	C	X	
C206	IDENTIFICATION NUMBER		C	X	
7402	Identity number	AN..35	M	X	
7405	Identity number qualifier	AN..3	C	X	
3039	Party id identification	AN..17	C	X	
1131	Code list qualifier	AN..3	C	X	
3055	Code list responsible agency, coded	AN..3	C	X	
4405	Status, coded	AN..3	C	X	
C206	IDENTIFICATION NUMBER		C	X	
7402	Identity number	AN..35	M	X	
7405	Identity number qualifier	AN..3	C	X	
3039	Party id identification	AN..17	C	X	
1131	Code list qualifier	AN..3	C	X	
3055	Code list responsible agency, coded	AN..3	C	X	
4405	Status, coded	AN..3	C	X	
C206	IDENTIFICATION NUMBER		C	X	
7402	Identity number	AN..35	M	X	
7405	Identity number qualifier	AN..3	C	X	
3039	Party id identification	AN..17	C	X	
1131	Code list qualifier	AN..3	C	X	
3055	Code list responsible agency, coded	AN..3	C	X	
4405	Status, coded	AN..3	C	X	

UNT MESSAGE TRAILER		M 1			
Fin du message					
0074	NUMBER OF SEGMENTS IN A MESSAGE	N..6	M	R	.
0062	MESSAGE REFERENCE NUMBER	AN..14	M	R	.

<b>IHFN</b>	In House File Normalised
-------------	--------------------------

<b>LOCA1</b>	1
<b>DTMA1</b>	2
<b>DTMC1</b>	3
<b>GIRA1</b>	4

Légende		
<b>Align</b>	L	Left / Gauche / Links
	R	Right / Droite / Rechts
<b>Typ</b>	AN	AlphaNumeric / Aphanumérique / Alfanumeriek
	A	Alphabetic / Aphabetique / Alfabetisch
	N	Numeric / Numérique / Numeriek
<b>St.</b>	M	Mandatory / Obligatoire / Noodzakelijk
	C	Conditional / Conditionnel / Conditioneel

<b>LOCA1</b>	Code commune ou pays, Commune / Pays (lieu de naissance)						
Fields	Len.	from	to	Value/Description	Align	Typ	St.
Rec-type	5	1	5	LOCA1	L	AN	M
LOCA1-3227	3	6	8	"500"	L	AN	M
LOCA1-3225	7	9	15	Code commune ou Pays	L	AN	C
LOCA1-3222-1	40	16	55	Commune / Pays	L	AN	C

<b>DTMA1</b>	Date de prise de cours N100						
Fields	Len.	from	to	Value/Description	Align	Typ	St.
Rec-type	5	1	5	DTMA1	L	AN	M
DTMA1-2005	3	6	8	"644" (Qualifiant)	L	AN	M
DTMA1-2380	8	9	16	Date de prise de cours N100	L	AN	C
DTMA1-2379	3	17	19	"102": CCYYMMDD	L	AN	C

<b>DTMC1</b>	Date de mise à jour						
Fields	Len.	from	to	Value/Description	Align	Typ	St.
Rec-type	5	1	5	DTMC1	L	AN	M
DTMC1-2005	3	6	8	"193"	L	AN	M
DTMC1-2380	8	9	16	Date de mise-à-jour	L	AN	C
DTMC1-2379	3	17	19	"102": CCYYMMDD	L	AN	C

<b>GIRA1</b>	Nouveau numéro BIS						
Fields	Len.	from	to	Value/Description	Align	Typ	St.
Rec-type	5	1	5	"GIRA1"	L	AN	M
GIRA1-7297	3	6	8	"566" (qualifiant)	L	AN	M
GIRA1-7402	11	9	19	Nouveau numéro BIS	L	AN	C