

N120 v0

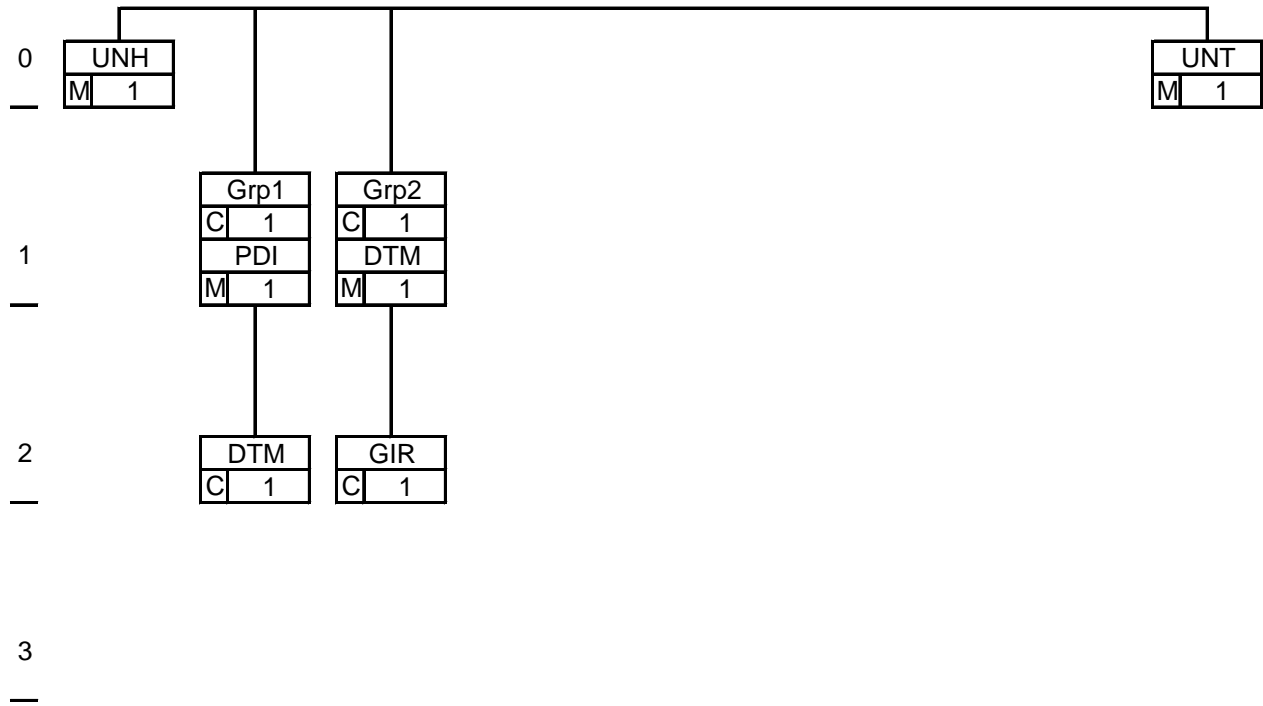
22/03/2002

Message name : N120
Message version 0
Date released 22/03/2002
Responsible agency BCSS-KSZ
Message description Registre BIS – Etat civil.

Message type N120
Directory name UN/EDIFACT TRIAL DIRECTORY
Directory version 92.1

In release of 22/03/2002

- ◆ Set on e-form the paper version of 01/09/1999



Message		M	1
UNH	Message Header	M	1
Group 1		C	1
PDI	Personal Details (gender, marital status)	M	1
DTM	Date / Time / Period	C	1
Group 2		C	1
DTM	Date / Time / Period	M	1
GIR	Related Identification Numbers	C	1
UNT	Message Trailer	M	1

Message**UNH - M - 1 - MESSAGE HEADER**

En-tête du message.

Group 1 – C – 1

PDI – M – 1 – PERSONAL DETAILS (gender, marital status)

- *Etat civil*

DTM – C – 1 – DATE / TIME / PERIOD

- *Date de prise de cours (N120)*

(End of group 1)

Group 2 – C – 1

En cas code retour = 800080

DTM – M – 1 – DATE / TIME / PERIOD

- *Date de mise à jour*

GIR – C – 1 – RELATED IDENTIFICATION NUMBERS

- *Nouveau numéro BIS*

(End of Group 2)

UNT – M – 1 – MESSAGE TRAILER

Fin de message

(End of Message)

UNH MESSAGE HEADER		M 1		
En-tête du message				
0062	MESSAGE REFERENCE NUMBER	AN..14	M R	.
S009	MESSAGE IDENTIFIER		M R	.
0065	Message type identifier	AN..6	M R	N120
0052	Message type version number	AN..3	M R	"000"
0054	Message type release number	AN..3	M R	"000"
0051	Controlling agency	AN..2	M R	"BK"
0057	Association assigned code	AN..6	C X	
0068	COMMON ACCESS REFERENCE	AN..35	C X	
S010	STATUS OF THE TRANSFER		C X	
0070	Sequence message transfer number	N..2	M X	
0073	First/Last sequence message transfer indication	A1	C X	

PDI PERSONAL DETAIL		M 1		
Etat civil				
3917	SEX, CODED	AN..3	C X	
C085	MARITAL STATUS DETAILS		C R	.
3913	Marital status, coded	AN..3	C R	Code état civil
1131	Code list qualifier	AN..3	C X	
3055	Code list responsible agency, coded	AN..3	C X	
3912	Marital status	AN..35	C X	
C101	RELIGION DETAILS		C X	
3923	Religion, coded	AN..3	C X	
1131	Code list qualifier	AN..3	C X	
3055	Code list responsible agency, coded	AN..3	C X	
3922	Religion	AN..35	C X	

DTM DATE/TIME/PERIOD		C 1		
Date de prise de cours (N120)				
C507	DATE/TIME/PERIOD		M R	.
2005	Date/time/period qualifier	AN..3	M R	"645"
2380	Date/time/period	AN..35	C R	Date de prise de cours (N120)
2379	Date/time/period format qualifier	AN..3	C R	"102": CCYYMMDD

DTM DATE/TIME/PERIOD		M 1		
Date de mise-à-jour				
C507	DATE/TIME/PERIOD		M R	.
2005	Date/time/period qualifier	AN..3	M R	"193"
2380	Date/time/period	AN..35	C R	Date de mise à jour
2379	Date/time/period format qualifier	AN..3	C R	"102" format 'CCYYMMDD'

GIR RELATED IDENTIFICATION NUMBERS			C 1		
Nouveau numéro BIS (RC = 80080)					
7297	SET IDENTIFICATION QUALIFIER	AN..3	M	R	"566"
C206	IDENTIFICATION NUMBER		M	R	.
7402	Identity number	AN..35	M	R	Nouveau numéro BIS
7405	Identity number qualifier	AN..3	C	X	
3039	Party id identification	AN..17	C	X	
1131	Code list qualifier	AN..3	C	X	
3055	Code list responsible agency, coded	AN..3	C	X	
4405	Status, coded	AN..3	C	X	
C206	IDENTIFICATION NUMBER		C	X	
7402	Identity number	AN..35	M	X	
7405	Identity number qualifier	AN..3	C	X	
3039	Party id identification	AN..17	C	X	
1131	Code list qualifier	AN..3	C	X	
3055	Code list responsible agency, coded	AN..3	C	X	
4405	Status, coded	AN..3	C	X	
C206	IDENTIFICATION NUMBER		C	X	
7402	Identity number	AN..35	M	X	
7405	Identity number qualifier	AN..3	C	X	
3039	Party id identification	AN..17	C	X	
1131	Code list qualifier	AN..3	C	X	
3055	Code list responsible agency, coded	AN..3	C	X	
4405	Status, coded	AN..3	C	X	
C206	IDENTIFICATION NUMBER		C	X	
7402	Identity number	AN..35	M	X	
7405	Identity number qualifier	AN..3	C	X	
3039	Party id identification	AN..17	C	X	
1131	Code list qualifier	AN..3	C	X	
3055	Code list responsible agency, coded	AN..3	C	X	
4405	Status, coded	AN..3	C	X	
C206	IDENTIFICATION NUMBER		C	X	
7402	Identity number	AN..35	M	X	
7405	Identity number qualifier	AN..3	C	X	
3039	Party id identification	AN..17	C	X	
1131	Code list qualifier	AN..3	C	X	
3055	Code list responsible agency, coded	AN..3	C	X	
4405	Status, coded	AN..3	C	X	

UNT MESSAGE TRAILER			M 1		
Segment UNT: Fin du message					
0074	NUMBER OF SEGMENTS IN A MESSAGE	N..6	M	R	.
0062	MESSAGE REFERENCE NUMBER	AN..14	M	R	.

IHFN	In House File Normalised
-------------	--------------------------

PDIA1	1
DTMA1	2
DTMC1	3
GIRA1	4

Légende		
Align	L R	Left / Gauche / Links Right / Droite / Rechts
Typ	AN A N	AlphaNumeric / Aphanumérique / Alfameriek Alphabetic / Aphabetique / Alfabetisch Numeric / Numérique / Numeriek
St.	M C	Mandatory / Obligatoire / Noodzakelijk Conditional / Conditionnel / Conditioneel

PDIA1							
Code état civil							
Fields	Len.	from	to	Value/Description	Align	Typ	St.
Rec-type	5	1	5	PDIA1	L	AN	M
PDIA1-3913	2	6	7	Code état civil	L	AN	M

DTMA1							
Date de prise de cours N120							
Fields	Len.	from	to	Value/Description	Align	Typ	St.
Rec-type	5	1	5	"GISA1"	L	AN	M
DTMA1-2005	3	6	8	"645"	L	AN	M
DTMA1-2380	8	9	16	Date de prise de cours N120	L	AN	C
DTMA1-2379	3	17	19	"102" = CCYYMMDD	L	AN	C

DTMC1							
Date de mise à jour							
Fields	Len.	from	to	Value/Description	Align	Typ	St.
Rec-type	5	1	5	DTMC1	L	AN	M
DTMC1-2005	3	6	8	"193"	L	AN	M
DTMC1-2380	8	9	16	Date de mise-à-jour	L	AN	C
DTMC1-2379	3	17	19	"102": CCYYMMDD	L	AN	C

GIRA1							
Nouveau numéro BIS							
Fields	Len.	from	to	Value/Description	Align	Typ	St.
Rec-type	5	1	5	"GIRA1"	L	AN	M
GIRA1-7297	3	6	8	"566" (qualifiant)	L	AN	M
GIRA1-7402	11	9	19	Nouveau numéro BIS	L	AN	C