

# N150 v0

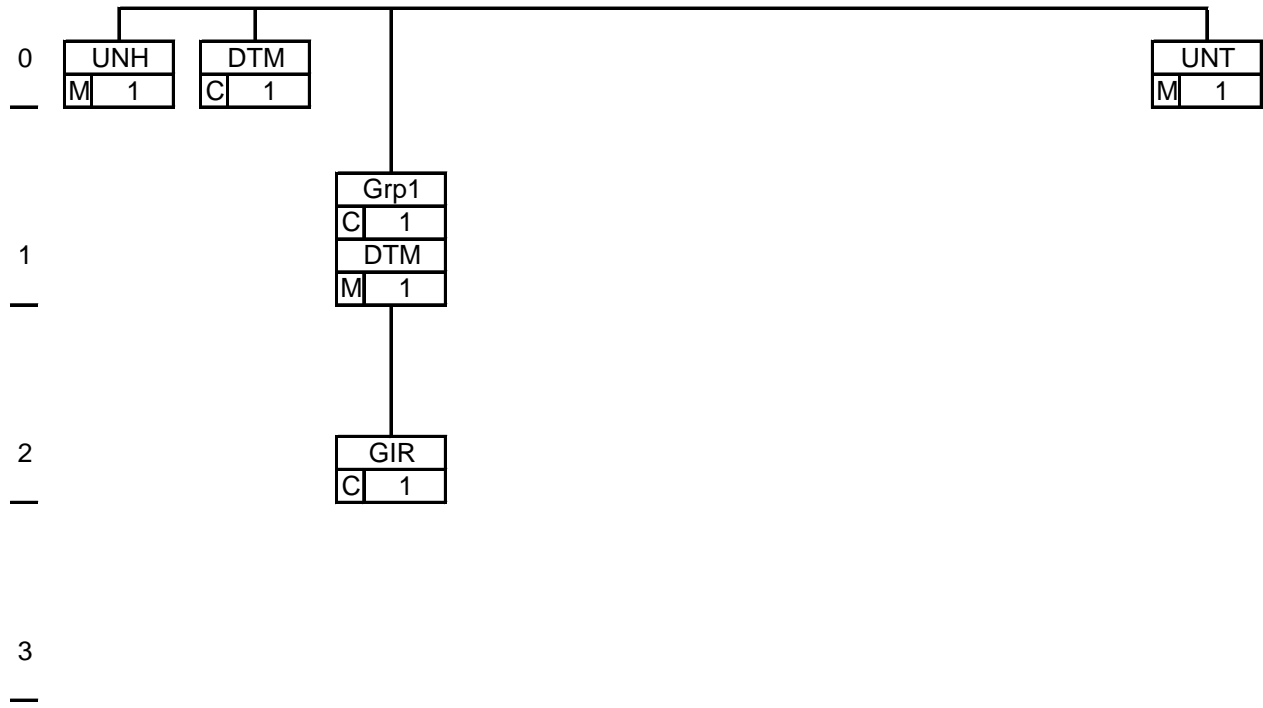
## 22/03/2002

Message name : N150  
Message version 0  
Date released 22/03/2002  
Responsible agency BCSS-KSZ  
Message description Registre BIS – Date Décès

Message type N150  
Directory name UN/EDIFACT TRIAL DIRECTORY  
Directory version 92.1

### *In release of 22/03/2002*

- ◆ Set on e-form the paper version of 01/09/1999



<b>Message</b>		M	1
UNH	Message Header	M	1
DTM	Date / Time / Period	C	1
<b>Group 1</b>		C	1
DTM	Date / Time / Period	M	1
GIR	Related Identification Numbers	C	1
UNT	Message Trailer	M	1

**Message****UNH - M - 1 - MESSAGE HEADER**

En-tête du message

**DTM - C - 1 - DATE / TIME / PERIOD**

- *Date décès*

**Group 1 - C - 1**

En cas code retour = 800080

**DTM - M - 1 - DATE / TIME / PERIOD**

- *Date de mise à jour*

**GIR - C - 1 - RELATED IDENTIFICATION NUMBERS**

- *Nouveau numéro NISS*

**(End of Group 1)**

**UNT - M - 1 - MESSAGE TRAILER**

Fin de message

**(End of Message)**

<b>UNH MESSAGE HEADER</b>			<b>M 1</b>	
En-tête du message				
0062	MESSAGE REFERENCE NUMBER	AN..14	M	R .
S009	MESSAGE IDENTIFIER		M	R .
0065	Message type identifier	AN..6	M	R N150
0052	Message type version number	AN..3	M	R "000"
0054	Message type release number	AN..3	M	R "000"
0051	Controlling agency	AN..2	M	R "BK"
0057	Association assigned code	AN..6	C	X
0068	COMMON ACCESS REFERENCE	AN..35	C	X
S010	STATUS OF THE TRANSFER		C	X
0070	Sequence message transfer number	N..2	M	X
0063	First/Last sequence message transfer indication	A1	C	X

<b>DTM DATE/TIME/PERIOD</b>			<b>C 1</b>	
Date de décès				
C507	DATE/TIME/PERIOD		M	R .
2005	Date/time/period qualifier	AN..3	M	R "650"
2380	Date/time/period	AN..35	C	R Date de décès
2379	Date/time/period format qualifier	AN..3	C	R "102": CCYYMMDD

<b>DTM DATE/TIME/PERIOD</b>			<b>M 1</b>	
Date de mise-à-jour				
C507	DATE/TIME/PERIOD		M	R .
2005	Date/time/period qualifier	AN..3	M	R "193"
2380	Date/time/period	AN..35	C	R Date de mise à jour
2379	Date/time/period format qualifier	AN..3	C	R "102" format 'CCYYMMDD'

<b>GIR RELATED IDENTIFICATION NUMBERS</b>				<b>C</b>	<b>1</b>
Nouveau numéro BIS (RC = 80080)					
7297	SET IDENTIFICATION QUALIFIER	AN..3	M	R	"566"
C206	IDENTIFICATION NUMBER		M	R	.
7402	Identity number	AN..35	M	R	Nouveau numéro BIS
7405	Identity number qualifier	AN..3	C	X	
3039	Party id identification	AN..17	C	X	
1131	Code list qualifier	AN..3	C	X	
3055	Code list responsible agency, coded	AN..3	C	X	
4405	Status, coded	AN..3	C	X	
C206	IDENTIFICATION NUMBER		C	X	
7402	Identity number	AN..35	M	X	
7405	Identity number qualifier	AN..3	C	X	
3039	Party id identification	AN..17	C	X	
1131	Code list qualifier	AN..3	C	X	
3055	Code list responsible agency, coded	AN..3	C	X	
4405	Status, coded	AN..3	C	X	
C206	IDENTIFICATION NUMBER		C	X	
7402	Identity number	AN..35	M	X	
7405	Identity number qualifier	AN..3	C	X	
3039	Party id identification	AN..17	C	X	
1131	Code list qualifier	AN..3	C	X	
3055	Code list responsible agency, coded	AN..3	C	X	
4405	Status, coded	AN..3	C	X	
C206	IDENTIFICATION NUMBER		C	X	
7402	Identity number	AN..35	M	X	
7405	Identity number qualifier	AN..3	C	X	
3039	Party id identification	AN..17	C	X	
1131	Code list qualifier	AN..3	C	X	
3055	Code list responsible agency, coded	AN..3	C	X	
4405	Status, coded	AN..3	C	X	
C206	IDENTIFICATION NUMBER		C	X	
7402	Identity number	AN..35	M	X	
7405	Identity number qualifier	AN..3	C	X	
3039	Party id identification	AN..17	C	X	
1131	Code list qualifier	AN..3	C	X	
3055	Code list responsible agency, coded	AN..3	C	X	
4405	Status, coded	AN..3	C	X	

<b>UNT MESSAGE TRAILER</b>				<b>M</b>	<b>1</b>
Segment UNT: Fin du message					
0074	NUMBER OF SEGMENTS IN A MESSAGE	N..6	M	R	.
0062	MESSAGE REFERENCE NUMBER	AN..14	M	R	.

<b>IHFN</b>	In House File Normalised
-------------	--------------------------

<b>DTMA1</b>	1
<b>DTMC1</b>	2
<b>GIRA1</b>	3

<b>Légende</b>		
<b>Align</b>	L	Left / Gauche / Links
	R	Right / Droite / Rechts
<b>Typ</b>	AN	AlphaNumeric / Aphanumérique / Alfnumeriek
	A	Alphabetic / Aphabetique / Alfabetisch
	N	Numeric / Numérique / Numeriek
<b>St.</b>	M	Mandatory / Obligatoire / Noodzakelijk
	C	Conditional / Conditionnel / Conditioneel

<b>DTMA1</b> Date décès							
Fields	Len.	from	to	Value/Description	Align	Typ	St.
Rec-type	5	1	5	"DTMA1"	L	AN	M
DTMA1-2005	3	6	8	"650"	L	AN	M
DTMA1-2380	8	9	16	Date décès	L	AN	C
DTMA1-2379	3	17	19	"102" = CCYYMMDD	L	AN	C

<b>DTMC1</b> Date de mise à jour							
Fields	Len.	from	to	Value/Description	Align	Typ	St.
Rec-type	5	1	5	DTMC1	L	AN	M
DTMC1-2005	3	6	8	"193"	L	AN	M
DTMC1-2380	8	9	16	Date de mise-à-jour	L	AN	C
DTMC1-2379	3	17	19	"102": CCYYMMDD	L	AN	C

<b>GIRA1</b> Nouveau numéro BIS							
Fields	Len.	from	to	Value/Description	Align	Typ	St.
Rec-type	5	1	5	"GIRA1"	L	AN	M
GIRA1-7297	3	6	8	"566" (qualifiant)	L	AN	M
GIRA1-7402	11	9	19	Nouveau numéro BIS	L	AN	C