

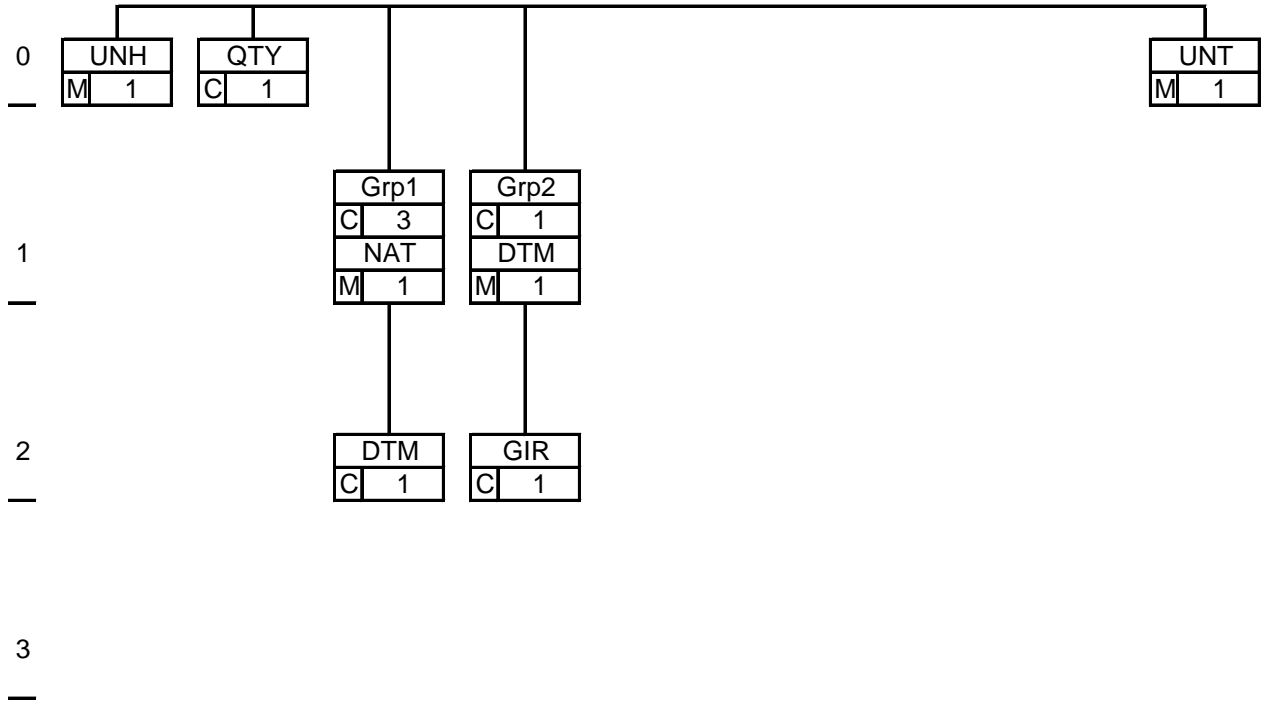
O031 v0

21/03/2002

Message name : O031
Message version 0
Date released 21/03/2002
Responsible agency BCSS-KSZ
Message description Registre BIS – Nationalité (Historique)
Message type O031
Directory name UN/EDIFACT TRIAL DIRECTORY
Directory version 92.1

In release of 21/03/2002

- ◆ Set on e-form the paper version of 01/09/1999



Message		M	1
UNH	Message header	M	1
QTY	Quantity	C	1
Group 1		C	3
NAT	Nationality	M	1
DTM	Date / Time / Period	C	1
Group 2		C	1
DTM	Date / Time / Period	M	1
GIR	Related Identification Numbers	C	1
UNT	Message trailer	M	1

Message**UNH - M - 1 - MESSAGE HEADER**

En-tête du message

QTY - C - 1 - QUANTITY

Nombre d'occurrence N031

Group 1 – C – 3**NAT – M – 1 – NATIONALITY**

- *Code nationalité*

DTM – C – 1 – DATE / TIME / PERIOD

- *Date de prise cours (N031)*

(End of Group 1)

Group 2 – C – 1

En cas code retour = 800080

DTM – M – 1 – DATE / TIME / PERIOD

- *Date de mise à jour*

GIR – C – 1 – RELATED IDENTIFICATION NUMBERS

- *Nouveau numéro BIS*

(End of Group 2)

UNT – M – 1 – MESSAGE TRAILER

Fin du message

(End of Message)

UNH MESSAGE HEADER		M 1	
En-tête du message			
0062	MESSAGE REFERENCE NUMBER	AN..14	M R .
S009	MESSAGE IDENTIFIER		M R .
0065	Message type identifier	AN..6	M R "0031"
0052	Message type version number	AN..3	M R "000"
0054	Message type release number	AN..3	M R "000"
0051	Controlling agency	AN..2	M R "BK"
0057	Association assigned code	AN..6	C X
0068	COMMON ACCESS REFERENCE	AN..35	C X
S010	STATUS OF THE TRANSFER		C X
0070	Sequence message transfer number	N..2	M X
0073	First/Last sequence message transfer indication	A1	C X

QTY QUANTITY		C 1	
Nombre d'occurrences (O031) (Max. 3)			
C186	QUANTITY DETAILS		M R .
6063	Quantity qualifier	AN..3	M R Qualifiant: "538"
6060	Quantity	N..15	M R Nombre des occurrences (O031)
6411	Measure unit qualifier	AN..3	C X

NAT PERSON'S NATIONALITY		M 1	
Code nationalité			
3915	NATIONALITY QUALIFIER	AN..3	C R .
C042	NATIONALITY		C R .
3485	Nationality, coded	AN..3	C X
1131	Code list qualifier	AN..3	C X
3055	Code list responsible agency, coded	AN..3	C X
3484	Nationality	AN..35	C R Code nationalité

DTM DATE/TIME/PERIOD		C 1	
Date de prise cours (N031)			
C507	DATE/TIME/PERIOD		M R .
2005	Date/time/period qualifier	AN..3	M R "643"
2380	Date/time/period	AN..35	C R Date de prise de cours (N031)
2379	Date/time/period format qualifier	AN..3	C R "102": CCYYMMFDD

DTM DATE/TIME/PERIOD			M 1		
Date de mise-à-jour					
C507	DATE/TIME/PERIOD		M	R	.
2005	Date/time/period qualifier	AN..3	M	R	"193"
2380	Date/time/period	AN..35	C	R	Date de mise à jour
2379	Date/time/period format qualifier	AN..3	C	R	"102" format 'CCYYMMDD'

GIR RELATED IDENTIFICATION NUMBERS			C 1		
Nouveau numéro BIS (RC = 80080)					
7297	SET IDENTIFICATION QUALIFIER	AN..3	M	R	"566"
C206	IDENTIFICATION NUMBER		M	R	.
7402	Identity number	AN..35	M	R	Nouveau numéro BIS
7405	Identity number qualifier	AN..3	C	X	
3039	Party id identification	AN..17	C	X	
1131	Code list qualifier	AN..3	C	X	
3055	Code list responsible agency, coded	AN..3	C	X	
4405	Status, coded	AN..3	C	X	
C206	IDENTIFICATION NUMBER		C	X	
7402	Identity number	AN..35	M	X	
7405	Identity number qualifier	AN..3	C	X	
3039	Party id identification	AN..17	C	X	
1131	Code list qualifier	AN..3	C	X	
3055	Code list responsible agency, coded	AN..3	C	X	
4405	Status, coded	AN..3	C	X	
C206	IDENTIFICATION NUMBER		C	X	
7402	Identity number	AN..35	M	X	
7405	Identity number qualifier	AN..3	C	X	
3039	Party id identification	AN..17	C	X	
1131	Code list qualifier	AN..3	C	X	
3055	Code list responsible agency, coded	AN..3	C	X	
4405	Status, coded	AN..3	C	X	
C206	IDENTIFICATION NUMBER		C	X	
7402	Identity number	AN..35	M	X	
7405	Identity number qualifier	AN..3	C	X	
3039	Party id identification	AN..17	C	X	
1131	Code list qualifier	AN..3	C	X	
3055	Code list responsible agency, coded	AN..3	C	X	
4405	Status, coded	AN..3	C	X	

UNT MESSAGE TRAILER		M 1		
Segment UNT: Fin du message				
0074	NUMBER OF SEGMENTS IN A MESSAGE	N..6	M	R .
0062	MESSAGE REFERENCE NUMBER	AN..14	M	R .

IHFN	In House File Normalised
-------------	--------------------------

QTYA1	1
NATA1	2
DTMA1	3
DTMC1	4
GIRA1	5

Légende		
Align	L	Left / Gauche / Links
	R	Right / Droite / Rechts
Typ	AN	AlphaNumeric / Aphanumérique / Alfanumeriek
	A	Alphabetic / Aphabetique / Alfabetisch
	N	Numeric / Numérique / Numeriek
St.	M	Mandatory / Obligatoire / Noodzakelijk
	C	Conditional / Conditionnel / Conditioneel

QTYA1							
Nombre de N031 (max. = 3)							
Fields	Len.	from	to	Value/Description	Align	Typ	St.
Rec-type	5	1	5	QTYA1	L	AN	M
QTYA1-6063	3	6	8	"538"	L	AN	M
QTYA1-6060	2	9	10	Nombre de N031 (Max. = 3)	L	NU	M

NATA1							
Code nationalité							
Fields	Len.	from	to	Value/Description	Align	Typ	St.
Rec-type	5	1	5	NATA1	L	AN	M
NATA1-3484	7	6	12	Code nationalité	L	AN	C

DTMA1							
Date de prise de cours (N031)							
Fields	Len.	from	to	Value/Description	Align	Typ	St.
Rec-type	5	1	5	DTMA1	L	AN	M
DTMA1-2005	3	6	8	"643"	L	AN	M
DTMA1-2380	8	9	16	Date de prise de cours N031	L	AN	C
DTMA1-2379	3	17	19	"102" = CCYYMMDD	L	AN	C

DTMC1							
Date de mise à jour							
Fields	Len.	from	to	Value/Description	Align	Typ	St.
Rec-type	5	1	5	DTMC1	L	AN	M
DTMC1-2005	3	6	8	"193"	L	AN	M
DTMC1-2380	8	9	16	Date de mise-à-jour	L	AN	C
DTMC1-2379	3	17	19	"102": CCYYMMDD	L	AN	C

GIRA1							
Nouveau numéro BIS							
Fields	Len.	from	to	Value/Description	Align	Typ	St.
Rec-type	5	1	5	"GIRA1"	L	AN	M
GIRA1-7297	3	6	8	"566" (qualifiant)	L	AN	M
GIRA1-7402	11	9	19	Nouveau numéro BIS	L	AN	C