

O120 v0

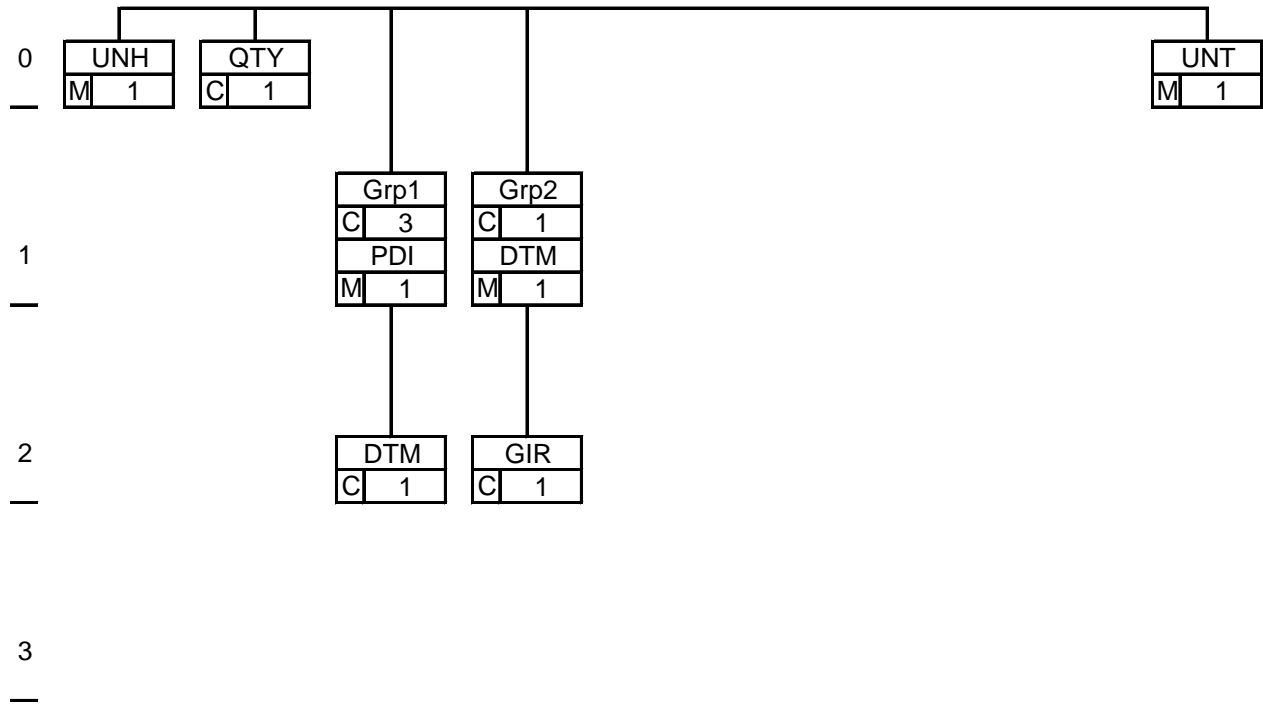
22/03/2002

Message name : O120
Message version 0
Date released 22/03/2002
Responsible agency BCSS-KSZ
Message description Registre BIS – Etat Civil (Historiques)

Message type O120
Directory name UN/EDIFACT TRIAL DIRECTORY
Directory version 92.1

In release of 22/03/2002

- ◆ Set on e-form the paper version of 01/09/1999



Message		M	1
UNH	Message Header	M	1
QTY	Quantity	C	1
Group 1		C	3
PDI	Personal Details (gender, marital status)	M	1
DTM	Date / Time / Period	C	1
Group 2		C	1
DTM	Date / Time / Period	M	1
GIR	Related Identification Numbers	C	1
UNT	Message Trailer	M	1

Message**UNH - M - 1 - MESSAGE HEADER**

En-tête du message.

QTY - C - 1 - QUANTITY

Nombre d'occurrences (Max = 3)

Group 1 – C – 1

PDI – M – 1 – PERSONAL DETAILS (gender, marital status)

- *Etat civil*

DTM – C – 1 – DATE / TIME / PERIOD

- *Date de prise de cours (N120)*

(End of group 1)

Group 2 – C – 1

En cas code retour = 800080

DTM – M – 1 – DATE / TIME / PERIOD

- *Date de mise à jour*

GIR – C – 1 – RELATED IDENTIFICATION NUMBERS

- *Nouveau numéro BIS*

(End of Group 2)

UNT – M – 1 – MESSAGE TRAILER

Fin de message

(End of Message)

UNH MESSAGE HEADER		M 1	
En-tête du message			
0062	MESSAGE REFERENCE NUMBER	AN..14	M R .
S009	MESSAGE IDENTIFIER		M R .
0065	Message type identifier	AN..6	M R O120
0052	Message type version number	AN..3	M R "000"
0054	Message type release number	AN..3	M R "000"
0051	Controlling agency	AN..2	M R "BK"
0057	Association assigned code	AN..6	C X
0068	COMMON ACCESS REFERENCE	AN..35	C X
S010	STATUS OF THE TRANSFER		C X
0070	Sequence message transfer number	N..2	M X
0073	First/Last sequence message transfer indication	A1	C X

QTY QUANTITY		C 1	
Nombre d'occurrences (O120) (Max. 3)			
C186	QUANTITY DETAILS		M R .
6063	Quantity qualifier	AN..3	M R Qualifiant: "538"
6060	Quantity	N..15	M R Nombre des occurrences (O120)
6411	Measure unit qualifier	AN..3	C X

PDI PERSONAL DETAIL		M 1	
Etat civil			
3917	SEX, CODED	AN..3	C X
C085	MARITAL STATUS DETAILS		C R .
3913	Marital status, coded	AN..3	C R Code état civil
1131	Code list qualifier	AN..3	C X
3055	Code list responsible agency, coded	AN..3	C X
3912	Marital status	AN..35	C X
C101	RELIGION DETAILS		C X
3923	Religion, coded	AN..3	C X
1131	Code list qualifier	AN..3	C X
3055	Code list responsible agency, coded	AN..3	C X
3922	Religion	AN..35	C X

DTM DATE/TIME/PERIOD				C 1	
Date de prise de cours (N120)					
C507	DATE/TIME/PERIOD		M	R	.
2005	Date/time/period qualifier	AN..3	M	R	"645"
2380	Date/time/period	AN..35	C	R	Date de prise de cours (N120)
2379	Date/time/period format qualifier	AN..3	C	R	"102": CCYYMMDD

DTM DATE/TIME/PERIOD				M 1	
Date de mise-à-jour					
C507	DATE/TIME/PERIOD		M	R	.
2005	Date/time/period qualifier	AN..3	M	R	"193"
2380	Date/time/period	AN..35	C	R	Date de mise à jour
2379	Date/time/period format qualifier	AN..3	C	R	"102" format 'CCYYMMDD'

GIR RELATED IDENTIFICATION NUMBERS				C	1
Nouveau numéro BIS (RC = 80080)					
7297	SET IDENTIFICATION QUALIFIER	AN..3	M	R	"566"
C206	IDENTIFICATION NUMBER		M	R	.
7402	Identity number	AN..35	M	R	Nouveau numéro BIS
7405	Identity number qualifier	AN..3	C	X	
3039	Party id identification	AN..17	C	X	
1131	Code list qualifier	AN..3	C	X	
3055	Code list responsible agency, coded	AN..3	C	X	
4405	Status, coded	AN..3	C	X	
C206	IDENTIFICATION NUMBER		C	X	
7402	Identity number	AN..35	M	X	
7405	Identity number qualifier	AN..3	C	X	
3039	Party id identification	AN..17	C	X	
1131	Code list qualifier	AN..3	C	X	
3055	Code list responsible agency, coded	AN..3	C	X	
4405	Status, coded	AN..3	C	X	
C206	IDENTIFICATION NUMBER		C	X	
7402	Identity number	AN..35	M	X	
7405	Identity number qualifier	AN..3	C	X	
3039	Party id identification	AN..17	C	X	
1131	Code list qualifier	AN..3	C	X	
3055	Code list responsible agency, coded	AN..3	C	X	
4405	Status, coded	AN..3	C	X	
C206	IDENTIFICATION NUMBER		C	X	
7402	Identity number	AN..35	M	X	
7405	Identity number qualifier	AN..3	C	X	
3039	Party id identification	AN..17	C	X	
1131	Code list qualifier	AN..3	C	X	
3055	Code list responsible agency, coded	AN..3	C	X	
4405	Status, coded	AN..3	C	X	
C206	IDENTIFICATION NUMBER		C	X	
7402	Identity number	AN..35	M	X	
7405	Identity number qualifier	AN..3	C	X	
3039	Party id identification	AN..17	C	X	
1131	Code list qualifier	AN..3	C	X	
3055	Code list responsible agency, coded	AN..3	C	X	
4405	Status, coded	AN..3	C	X	

UNT MESSAGE TRAILER				M	1
Segment UNT: Fin du message					
0074	NUMBER OF SEGMENTS IN A MESSAGE	N..6	M	R	.
0062	MESSAGE REFERENCE NUMBER	AN..14	M	R	.

IHFN	In House File Normalised
-------------	--------------------------

QTYA1	1
PDIA1	2
DTMA1	3
DTMC1	4
GIRA1	5

Légende		
Align	L	Left / Gauche / Links
	R	Right / Droite / Rechts
Typ	AN	AlphaNumeric / Aphanumérique / Alfameriek
	A	Alphabetic / Aphabetique / Alfabetisch
	N	Numeric / Numérique / Numeriek
St.	M	Mandatory / Obligatoire / Noodzakelijk
	C	Conditional / Conditionnel / Conditioneel

QTYA1							
Nombre de N120 (max. = 3)							
Fields	Len.	from	to	Value/Description	Align	Typ	St.
Rec-type	5	1	5	QTYA1	L	AN	M
QTYA1-6063	3	6	8	"538"	L	AN	M
QTYA1-6060	2	9	10	Nombre de N120 (Max. = 3)	L	NU	M

PDIA1							
Code état civil							
Fields	Len.	from	to	Value/Description	Align	Typ	St.
Rec-type	5	1	5	PDIA1	L	AN	M
PDIA1-3913	2	6	7	Code état civil	L	AN	M

DTMA1							
Date de prise de cours N120							
Fields	Len.	from	to	Value/Description	Align	Typ	St.
Rec-type	5	1	5	"GISA1"	L	AN	M
DTMA1-2005	3	6	8	"645"	L	AN	M
DTMA1-2380	8	9	16	Date de prise de cours N120	L	AN	C
DTMA1-2379	3	17	19	"102" = CCYYMMDD	L	AN	C

DTMC1							
Date de mise à jour							
Fields	Len.	from	to	Value/Description	Align	Typ	St.
Rec-type	5	1	5	DTMC1	L	AN	M
DTMC1-2005	3	6	8	"193"	L	AN	M
DTMC1-2380	8	9	16	Date de mise-à-jour	L	AN	C
DTMC1-2379	3	17	19	"102": CCYYMMDD	L	AN	C

GIRA1							
Nouveau numéro BIS							
Fields	Len.	from	to	Value/Description	Align	Typ	St.
Rec-type	5	1	5	"GIRA1"	L	AN	M
GIRA1-7297	3	6	8	"566" (qualifiant)	L	AN	M
GIRA1-7402	11	9	19	Nouveau numéro BIS	L	AN	C