

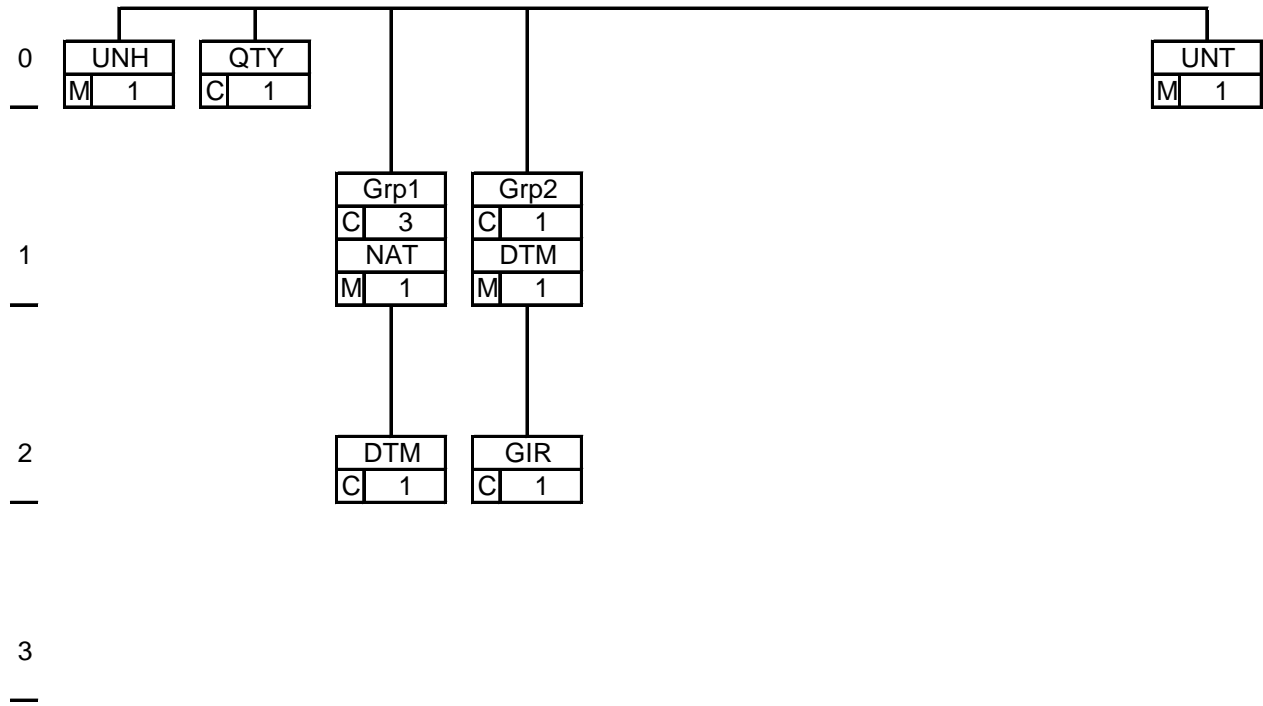
O031 v0

21/03/2002

Message name : O031
Message version 0
Date released 21/03/2002
Responsible agency BCSS-KSZ
Message description Registre BIS – Nationalité (Historique)
Message type O031
Directory name UN/EDIFACT TRIAL DIRECTORY
Directory version 92.1

In release of 21/03/2002

- ◆ Set on e-form the paper version of 01/09/1999



| Message | | M | 1 |
|----------------|--------------------------------|---|---|
| UNH | Message header | M | 1 |
| QTY | Quantity | C | 1 |
| Group 1 | | C | 3 |
| NAT | Nationality | M | 1 |
| DTM | Date / Time / Period | C | 1 |
| Group 2 | | C | 1 |
| DTM | Date / Time / Period | M | 1 |
| GIR | Related Identification Numbers | C | 1 |
| UNT | Message trailer | M | 1 |

Message**UNH - M - 1 - MESSAGE HEADER**

En-tête du message

QTY - C - 1 - QUANTITY

Nombre d'occurrence N031

Group 1 – C – 3**NAT – M – 1 – NATIONALITY**

- *Code nationalité*

DTM – C – 1 – DATE / TIME / PERIOD

- *Date de prise cours (N031)*

(End of Group 1)

Group 2 – C – 1

En cas code retour = 800080

DTM – M – 1 – DATE / TIME / PERIOD

- *Date de mise à jour*

GIR – C – 1 – RELATED IDENTIFICATION NUMBERS

- *Nouveau numéro BIS*

(End of Group 2)

UNT – M – 1 – MESSAGE TRAILER

Fin du message

(End of Message)

| UNH MESSAGE HEADER | | M 1 | |
|---------------------------|---|------------|------------|
| En-tête du message | | | |
| 0062 | MESSAGE REFERENCE NUMBER | AN..14 | M R . |
| S009 | MESSAGE IDENTIFIER | | M R . |
| 0065 | Message type identifier | AN..6 | M R "0031" |
| 0052 | Message type version number | AN..3 | M R "000" |
| 0054 | Message type release number | AN..3 | M R "000" |
| 0051 | Controlling agency | AN..2 | M R "BK" |
| 0057 | Association assigned code | AN..6 | C X |
| 0068 | COMMON ACCESS REFERENCE | AN..35 | C X |
| S010 | STATUS OF THE TRANSFER | | C X |
| 0070 | Sequence message transfer number | N..2 | M X |
| 0073 | First/Last sequence message transfer indication | A1 | C X |

| QTY QUANTITY | | C 1 | |
|--------------------------------------|------------------------|------------|-----------------------------------|
| Nombre d'occurrences (O031) (Max. 3) | | | |
| C186 | QUANTITY DETAILS | | M R . |
| 6063 | Quantity qualifier | AN..3 | M R Qualifiant: "538" |
| 6060 | Quantity | N..15 | M R Nombre des occurrences (O031) |
| 6411 | Measure unit qualifier | AN..3 | C X |

| NAT PERSON'S NATIONALITY | | M 1 | |
|---------------------------------|-------------------------------------|------------|----------------------|
| Code nationalité | | | |
| 3915 | NATIONALITY QUALIFIER | AN..3 | C R . |
| C042 | NATIONALITY | | C R . |
| 3485 | Nationality, coded | AN..3 | C X |
| 1131 | Code list qualifier | AN..3 | C X |
| 3055 | Code list responsible agency, coded | AN..3 | C X |
| 3484 | Nationality | AN..35 | C R Code nationalité |

| DTM DATE/TIME/PERIOD | | C 1 | |
|-----------------------------|-----------------------------------|------------|-----------------------------------|
| Date de prise cours (N031) | | | |
| C507 | DATE/TIME/PERIOD | | M R . |
| 2005 | Date/time/period qualifier | AN..3 | M R "643" |
| 2380 | Date/time/period | AN..35 | C R Date de prise de cours (N031) |
| 2379 | Date/time/period format qualifier | AN..3 | C R "102": CCYYMMFDD |

| DTM DATE/TIME/PERIOD | | | M 1 | | |
|----------------------|-----------------------------------|--------|-----|---|-------------------------|
| Date de mise-à-jour | | | | | |
| C507 | DATE/TIME/PERIOD | | M | R | . |
| 2005 | Date/time/period qualifier | AN..3 | M | R | "193" |
| 2380 | Date/time/period | AN..35 | C | R | Date de mise à jour |
| 2379 | Date/time/period format qualifier | AN..3 | C | R | "102" format 'CCYYMMDD' |

| GIR RELATED IDENTIFICATION NUMBERS | | | C 1 | | |
|------------------------------------|-------------------------------------|--------|-----|---|--------------------|
| Nouveau numéro BIS (RC = 80080) | | | | | |
| 7297 | SET IDENTIFICATION QUALIFIER | AN..3 | M | R | "566" |
| C206 | IDENTIFICATION NUMBER | | M | R | . |
| 7402 | Identity number | AN..35 | M | R | Nouveau numéro BIS |
| 7405 | Identity number qualifier | AN..3 | C | X | |
| 3039 | Party id identification | AN..17 | C | X | |
| 1131 | Code list qualifier | AN..3 | C | X | |
| 3055 | Code list responsible agency, coded | AN..3 | C | X | |
| 4405 | Status, coded | AN..3 | C | X | |
| C206 | IDENTIFICATION NUMBER | | C | X | |
| 7402 | Identity number | AN..35 | M | X | |
| 7405 | Identity number qualifier | AN..3 | C | X | |
| 3039 | Party id identification | AN..17 | C | X | |
| 1131 | Code list qualifier | AN..3 | C | X | |
| 3055 | Code list responsible agency, coded | AN..3 | C | X | |
| 4405 | Status, coded | AN..3 | C | X | |
| C206 | IDENTIFICATION NUMBER | | C | X | |
| 7402 | Identity number | AN..35 | M | X | |
| 7405 | Identity number qualifier | AN..3 | C | X | |
| 3039 | Party id identification | AN..17 | C | X | |
| 1131 | Code list qualifier | AN..3 | C | X | |
| 3055 | Code list responsible agency, coded | AN..3 | C | X | |
| 4405 | Status, coded | AN..3 | C | X | |
| C206 | IDENTIFICATION NUMBER | | C | X | |
| 7402 | Identity number | AN..35 | M | X | |
| 7405 | Identity number qualifier | AN..3 | C | X | |
| 3039 | Party id identification | AN..17 | C | X | |
| 1131 | Code list qualifier | AN..3 | C | X | |
| 3055 | Code list responsible agency, coded | AN..3 | C | X | |
| 4405 | Status, coded | AN..3 | C | X | |

| UNT MESSAGE TRAILER | | M 1 | | | |
|-----------------------------|---------------------------------|--------|---|---|---|
| Segment UNT: Fin du message | | | | | |
| 0074 | NUMBER OF SEGMENTS IN A MESSAGE | N..6 | M | R | . |
| 0062 | MESSAGE REFERENCE NUMBER | AN..14 | M | R | . |

| | |
|-------------|--------------------------|
| IHFN | In House File Normalised |
|-------------|--------------------------|

| | |
|--------------|---|
| QTYA1 | 1 |
| NATA1 | 2 |
| DTMA1 | 3 |
| DTMC1 | 4 |
| GIRA1 | 5 |

| Légende | | |
|--------------|----|---|
| Align | L | Left / Gauche / Links |
| | R | Right / Droite / Rechts |
| Typ | AN | AlphaNumeric / Aphanumérique / Alfanumeriek |
| | A | Alphabetic / Aphabetique / Alfabetisch |
| | N | Numeric / Numérique / Numeriek |
| St. | M | Mandatory / Obligatoire / Noodzakelijk |
| | C | Conditional / Conditionnel / Conditioneel |

| QTYA1 | | | | | | | |
|---------------------------|------|------|----|---------------------------|-------|-----|-----|
| Nombre de N031 (max. = 3) | | | | | | | |
| Fields | Len. | from | to | Value/Description | Align | Typ | St. |
| Rec-type | 5 | 1 | 5 | QTYA1 | L | AN | M |
| QTYA1-6063 | 3 | 6 | 8 | "538" | L | AN | M |
| QTYA1-6060 | 2 | 9 | 10 | Nombre de N031 (Max. = 3) | L | NU | M |

| NATA1 | | | | | | | |
|------------------|------|------|----|-------------------|-------|-----|-----|
| Code nationalité | | | | | | | |
| Fields | Len. | from | to | Value/Description | Align | Typ | St. |
| Rec-type | 5 | 1 | 5 | NATA1 | L | AN | M |
| NATA1-3484 | 7 | 6 | 12 | Code nationalité | L | AN | C |

| DTMA1 | | | | | | | |
|-------------------------------|------|------|----|-----------------------------|-------|-----|-----|
| Date de prise de cours (N031) | | | | | | | |
| Fields | Len. | from | to | Value/Description | Align | Typ | St. |
| Rec-type | 5 | 1 | 5 | DTMA1 | L | AN | M |
| DTMA1-2005 | 3 | 6 | 8 | "643" | L | AN | M |
| DTMA1-2380 | 8 | 9 | 16 | Date de prise de cours N031 | L | AN | C |
| DTMA1-2379 | 3 | 17 | 19 | "102" = CCYYMMDD | L | AN | C |

| DTMC1 | | | | | | | |
|---------------------|------|------|----|---------------------|-------|-----|-----|
| Date de mise à jour | | | | | | | |
| Fields | Len. | from | to | Value/Description | Align | Typ | St. |
| Rec-type | 5 | 1 | 5 | DTMC1 | L | AN | M |
| DTMC1-2005 | 3 | 6 | 8 | "193" | L | AN | M |
| DTMC1-2380 | 8 | 9 | 16 | Date de mise-à-jour | L | AN | C |
| DTMC1-2379 | 3 | 17 | 19 | "102": CCYYMMDD | L | AN | C |

| GIRA1 | | | | | | | |
|--------------------|------|------|----|--------------------|-------|-----|-----|
| Nouveau numéro BIS | | | | | | | |
| Fields | Len. | from | to | Value/Description | Align | Typ | St. |
| Rec-type | 5 | 1 | 5 | "GIRA1" | L | AN | M |
| GIRA1-7297 | 3 | 6 | 8 | "566" (qualifiant) | L | AN | M |
| GIRA1-7402 | 11 | 9 | 19 | Nouveau numéro BIS | L | AN | C |